



**Lucrative  
Fasteners**

[www.lucrativefasteners.com](http://www.lucrativefasteners.com)



**Lucrative Fasteners** was established with an aim to cater to Indian market with excellent quality engineering products at reasonable prices. There are many firms in India importing inferior quality products and sell them at exorbitant prices. Our aim is to provide quality products and at the same time, bridge the price gap between superior and inferior quality. We are not restricted to a specific product but have plans to introduce different products in Indian market at regular intervals.

All the products we launch in Indian market will be guaranteed in terms of quality. We will also keep the prices as low as possible and give our privileged customers the value for money products. Moreover, we will keep launching new products at regular intervals in Indian market and create a distribution network in every nook and corner of our country.

**Lucrative Fasteners** is an Import company established with an aim to cater to Indian market with different range of products which are excellent in quality and reasonable in prices. Most of the companies importing products in India are trading firms who compromise with quality to maximize profits. We are formed with a far reaching goal of importing high quality products and at the same time, bridge the price gap between inferior and superior quality. Presently the price gap between inferior and superior quality products goes upto 20%. We deeply research the product quality and import only the best quality product. At the same time, we keep a very marginal profit necessary for survival of the organization and bridge the price gap between inferior and superior quality. Moreover, companies who compromise with quality for high price gap do not take into consideration that the rejection rate in low quality product is high and the overall cost of product remains the same after the rejections.

We believe that companies who earlier compromised with quality for a 20% price gap will not easily do so for a marginal price gap. The superior quality of our products enables us to give replacement guarantee against any damages & rejections. This marginal price gap coupled with guarantee against rejections reduces the overall cost of product and thus our privileged customers are benefited. This is our primary motto.




## Our Offered Products

• **Self Drilling Screws** : Self drilling screws are imported from **Taiwan**. These are highly technical engineering product that are used to fix all types of roofing sheets be it color coated sheets, GI/GC sheets, AC cement sheets, FRP sheets or polycarbonate sheets etc. These fixing screws are used in different applications like fixing sheets to steel structure or sheets to sheets. Our screws are excellent in quality.




# Our Offered Products


## • Installation Diagrams of Self Drilling Screws




Installation diagram




For Steel to Steel Applications




Installation diagram




For Steel to Steel Applications




Installation diagram




For fixing timber to steel without predrilling timber




Installation diagram




For fixing timber to steel without predrilling timber eg floors, trails, fences




Installation diagram




Fasten sheet metal to wall & overlap panels




Installation diagram




Suitable for fixing on sandwich panel



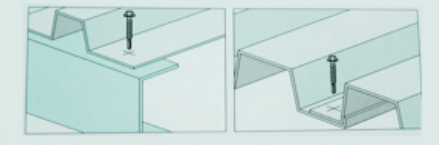
Installation diagram




Residential Steel Construction




Installation diagram




Roof deck to steel framing, and provide bigger cover surface in using exterior environment




Installation diagram




For fiber cement sheet to steel applications




Installation diagram




Residential steel frame construction, like shadow cover




Installation diagram



For attach to wooden application



Installation diagram

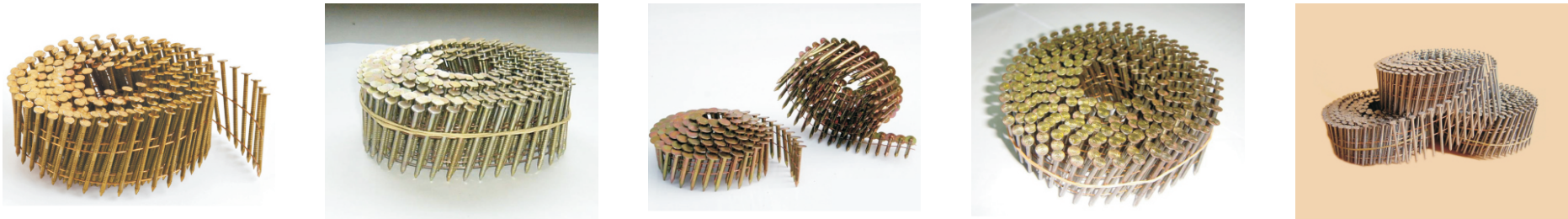


For attach 3/8 to 1" plywood or wood to steel application



# Our Offered Products

**Coil Nails** : Coil nails are a revolutionary product in the wood industry. This kind of collated Nails are used in siding, sheathing, fencing, sub floor, roof decking exterior deck and trim and some other woodworking. The traditional method of using nails manually involves a lot of manual labor which are reduced substantially using the coil nails with pneumatic guns. The use of coil nails with pneumatic gun increases the productivity 6-8 folds thus reducing the labor cost substantially. The anti-rust rust coating increases the life of the nails there by improving the quality of finished goods



**Applications of Coil Nails** : This kind of Collated Nail is used in siding, sheathing, fencing (farming nails), subfloor, roof decking (roofing nails), exterior deck and trim and some other woodworking.

Wire Welded Coil Framing Nails - 15 Degree

Technical Parameters of Wire Welded Coil Framing Nails - 15 Degree:

Length	1", 1-1/4", 1-1/2", 1-3/4", 2", 2-1/2", 3", 3-1/4", 3-9/16", 4" (or 25mm, 32mm, 38mm, 45mm, 50mm, 64mm, 75mm, 83mm, 90mm, 100mm)
Diameter	2.1 - 3.33mm
Angle	15
Finish	Yellow Coating
Types of shanks	Smooth Screw
Basic point type	Diamond Point

Wire Welded Coil Framing Nails - 15 Degree

Technical Parameters of Wire Welded Coil Roofing Nails - 15 Degree:

Finish	Yellow Coating
Types of shanks	Smooth Screw
Basic point type	Diamond Point

*Lucrative Fasteners*  
C-99, Sector-65, Noida  
201301, Uttar Pradesh, India

Telephone: +91 120 3146664  
E-mail: [ceo@lucrativefasteners.com](mailto:ceo@lucrativefasteners.com)